

## Motion 4000MRL™

### A compact solution for limited space and unlimited performance

The MCE **Motion 4000MRL** traction elevator package is the ideal solution when time and space are limited and your bottom line depends on on-time delivery, easy installation, and solid reliability — time after time. The 4000MRL provides service to 32 floors, speeds to 400 feet per minute\*, and group control of up to 6 cars. Motion 4000MRL makes the jobs of installers, adjusters, and maintenance personnel as straightforward as possible, stressing minimal hardware requirements, simple adjustment, and enduring reliability.

#### Installers

- Full-featured, Motion 4000 elevator control in a very compact enclosure (remote drive, with serial interface, serial CAN linkage between circuit boards, car components, and hall calls).
- Only final limit switches are required. Slowdown and ETS switches are virtual through the landing system.
- No door zone magnets required.
- Hall call fixtures are connected using lightweight, easily connected cables providing signal communication and fixture power.
- Absolute position/speed feedback uses a lightweight 1/2-inch wide encoded tape. Easy to hang; absolute position at all times — even under power loss.
- Traveling cable reduced to less than 20 conductors.
- Universal I/O boards for field connections accept 24 to 120 volt inputs, AC or DC.

#### Adjusters

- Factory pre-adjusted per job requirements.
- Easy, hand-held device (mPAC) lets you make a single, inspection-speed run through the hoistway, stopping and setting floor levels as you go. mPAC connects in the car, cartop or in the machine room.
- Selectable, pre-determined performance curves or create your own.
- Simple parameter entry using the basic (LCD display/button entry) or optional (mView) entry devices.

#### Maintenance

- Recommended “spares stock” is two boards; one universal I/O, one hall board.
- Plug the hand-held mPAC device into any controller or car CAN Bus and diagnose the entire system.

#### Benefits

- Flexible component location for small machine room and machine roomless jobs
- Absolute position/distance feedback
- Up to 400 fpm (2.0 m/s)\*, 32 stops, simplex/duplex/groups to 6 cars
- Front and rear openings (32 each)
- No leveling magnets, slowdown, or emergency terminal switches needed
- Simple installation, adjustment, and maintenance
- Minimal traveler and hoistway cable wire counts; minimal compensation requirement
- Universal I/O with electrical protection
- Easy setup and diagnostics
- PC configuration tool — mView
- Seamlessly integrated with iMonitor and BMS Link/Liftnet

\* 500 fpm (2.5 m/s) is possible, consult MCE for more information



[www.mceinc.com](http://www.mceinc.com)

800.444.7442  
916.463.9200

**MCE**  
**Motion Control Engineering®**

A Kinetek Company®

The leader in non-proprietary controllers, technical services and repair solutions for elevator modernization.

## Motion 4000MRL specifications

<b>Maximum car speed</b>	400 fpm, 2.0 m/s*
<b>Configuration</b>	Simplex, duplex, 6 car maximum group
<b>Stops</b>	Up to 32 with 64 openings
<b>Drive type</b>	VVVF AC
<b>Motor control</b>	Closed loop/velocity feedback
<b>Landing systems</b>	Magnetically encoded tape, 1 mm resolution
<b>System access</b>	Hand-held basic or advanced user interface
<b>Monitoring</b>	iMonitor, IDS LiftNet, BMS Link
<b>Report generation</b>	iReport
<b>Lobby display</b>	iLobby
<b>Environment</b>	32–104° F, 0–40° C, relative humidity non-condensing up to 95%; harsh environment rugged service available (NEMA 4, 4X, 12)
<b>Standard enclosures</b>	Enclosure size may vary per specific application

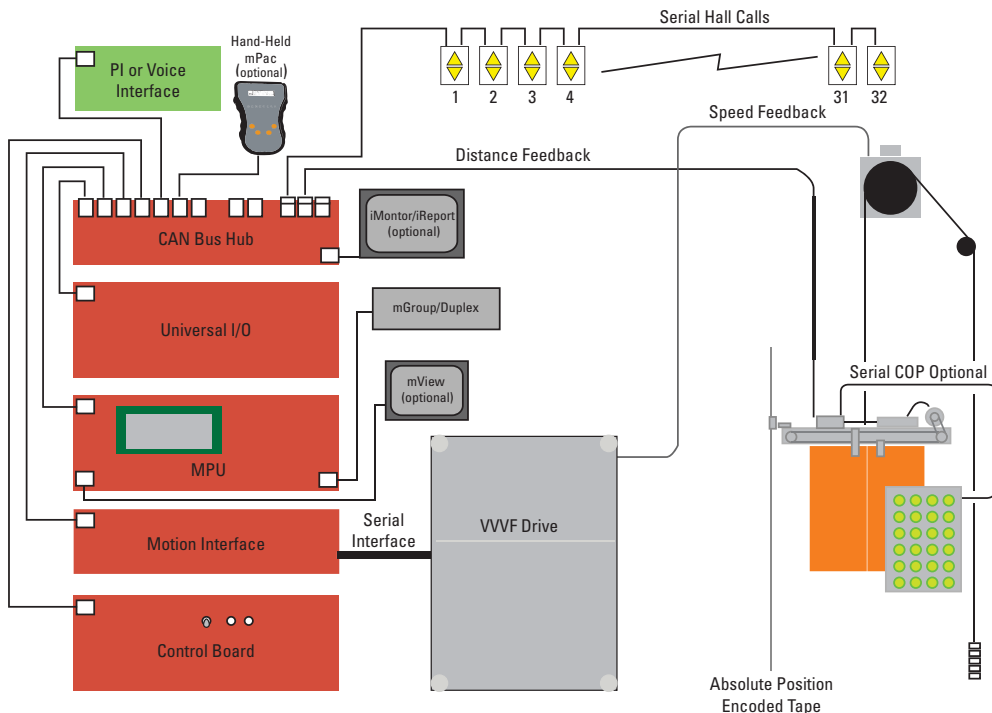
\* 500 fpm (2.5 m/s) is possible, consult MCE for more information

### Features

- Serial hall call (optional)
- Serial COP (optional)
- Full distance feedback
- Universal I/O (24 to 120V AC or DC)
- ACPM or AC induction machine compatible
- Serial P/I or voice annunciation interface
- iMonitor, iReport, iLobby, BMS Link or IDS ready (monitoring, reporting, lobby display)

### Compliance

- ASME A17.1/CSA B44
- CSA B44.1/ASME A17.5
- BS EN 81
- AS 1735
- EN 12015 and 12016



www.mceinc.com

800.444.7442  
916.463.9200



**Motion Control Engineering®**

A Kinetek Company®

The leader in non-proprietary controllers, technical services and repair solutions for elevator modernization.