

81mm Pearl Series - PSC High Efficiency Refrigeration Fan Motor

Introducing the Pearl Series — the new standard in high efficiency refrigeration fan motors from a company with a 100-year history of innovation, Merkle-Korff Industries.

Developed by our accomplished AC motor engineering team at our Ft. Wayne, Indiana design center, the Pearl Series provides an optimal high efficiency solution for refrigeration applications like food & beverage coolers, display cases, vending machines, walk-in coolers and more.

Pearl's unique electrical and mechanical design produces this high efficiency at a minimal cost compared with comparable shaded pole designs. The result is a durable, technically advanced motor that will satisfy the demanding performance, pricing and value requirements of world class refrigeration product manufacturers.



Benefits

- Higher efficiency at minimum cost
- Easy to install/drop in replacement with universal mounting
- Extended temperature range ball bearings enable one model for both freezer and refrigeration applications (-40 °C to 70 °C ; -40 °F to 160 °F)
- All angle ball bearings eliminate separate horizontal and vertical sleeve bearing SKUs

Refrigeration Applications

- Food/beverage coolers
- Display cases
- Vending machine
- Walk-in coolers
- Blower and fans
- Condensing units

Installation

- Integral mounting holes for #8-36 UNC screw
- Side pad or opposite shaft end mounting
- Drop-in replacement for existing 81 mm unit bearing motors
- Motor suitable for all angle mounting

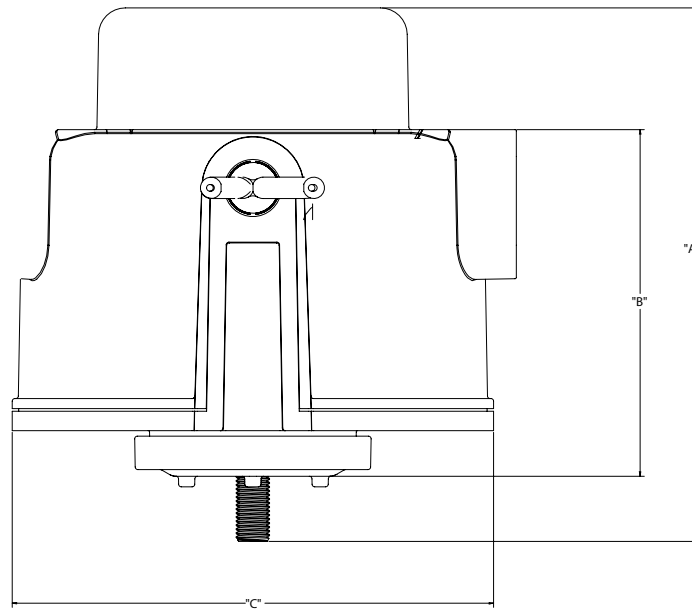


Merkle-Korff Industries®

A Kinetek Company®

Merkle-Korff Industries
25 NorthWest Point Blvd., Suite 900
Elk Grove Village, IL 60007
Phone: (847) 439-3760
Fax: (847) 439-3963
Email: sales@merkle-korff.com
Web: www.merkle-korff.com

Dimensional diagram



Features

- 115 or 230V, 50/60Hz
- Impedance and O/L protection
- Dual Ball bearings with extended temperature range grease
- Threaded shaft 1/4 – 20, 0.51/0.41" long
- 26-inch lead length with 1/2" bare wire stripped (Modular connection)
- Totally enclosed air over (TEAO) designs
- CW or CCW only rotation
- IP66 Protection Rating
- Two side pad's with tapped holes
- 3 or 5 mounting holes opp. shaft end (Tapped)
- 4 pin fan mounting
- Valox 357 enclosure
- UL/CSA, VDE, & CE
- Bi-directional CCW/CW (optional)
- Square European mounting (2.65"/square) (optional)
- Custom lead lengths (2" increments) (optional)
- Other lead terminations available (optional)

Specifications

| Model | Watts | Volts | Rotation | A [in] | B [in] | C (in) |
|--------------|-------|-------|----------|--------|--------|--------|
| 5KPM81RE0001 | 5 | 115 | CW | 3.8 | 2.4 | 3.6 |
| 5KPM81RE0002 | 5 | 230 | CW | 3.8 | 2.4 | 3.6 |
| 5KPM81RE0003 | 5 | 115 | CCW | 3.8 | 2.4 | 3.6 |
| 5KPM81RE0004 | 5 | 230 | CCW | 3.8 | 2.4 | 3.6 |
| 5KPM81RE1005 | 9 | 115 | CW | 3.8 | 2.4 | 3.6 |
| 5KPM81RE1006 | 9 | 230 | CW | 3.8 | 2.4 | 3.6 |
| 5KPM81RE1007 | 9 | 115 | CCW | 3.8 | 2.4 | 3.6 |
| 5KPM81RE1008 | 9 | 230 | CCW | 3.8 | 2.4 | 3.6 |
| 5KPM81RE2009 | 16 | 115 | CW | 4.2 | 2.8 | 2.6 |
| 5KPM81RE2010 | 16 | 230 | CW | 4.2 | 2.8 | 2.6 |
| 5KPM81RE2011 | 16 | 115 | CCW | 4.2 | 2.8 | 2.6 |
| 5KPM81RE2012 | 16 | 230 | CCW | 4.2 | 2.8 | 2.6 |

