

MC137C Right angle PMDC gearmotor

Right angle single reduction PMDC gearmotor

The MC137C is an economically priced compact, light duty, but durable right angle worm gearmotor for those applications requiring a rugged gearmotor in a compact size. It is a conservatively designed workhorse. This tough universally mountable gearmotor is available with a left or right handed configuration as well as double output shafts and will handle many applications, such as feeders, conveyors, pumps, printing presses, mixers, etc. The driven load can be connected by coupling, sprocket, pulley or gears. The gearmotor design incorporates integral motors directly mounted to the gearcase. Other design features include forged bronze worm wheel, hardened steel worm shaft, high tensile strength die cast aluminum alloy gearcase, all ball bearing construction with double lipped oil seals on the input and output shafts. When you have special requirements, these gearmotors will accept many modifications required for difficult applications.



Specifications

- Gear ratios: 6, 8.5, 11.3, 17, 21.5, 27, 34, 44, 54
- Motor: 3.25" OD, 0.25 hp TENV
- Output speed: 45–417 rpm
- Voltage: 24V and 36VDC
- Output shaft: keyed 5/8" diameter
- Mounting: 3 bolt on 2" BC or 4 bolt base

Features

- Low profile
- Hardened steel and bronze gearing
- Ball bearing construction
- Field replaceable motor
- Grease lubrication for life
- Aluminum housing
- Replaceable motor brushes

Options

- Output shaft configuration
- Motor terminals
- Foot mounted base plate
- Left and right hand outputs
- Dual opposing output

Applications

- Floor care equipment
- Mobile medical equipment
- Door openers
- Mixers

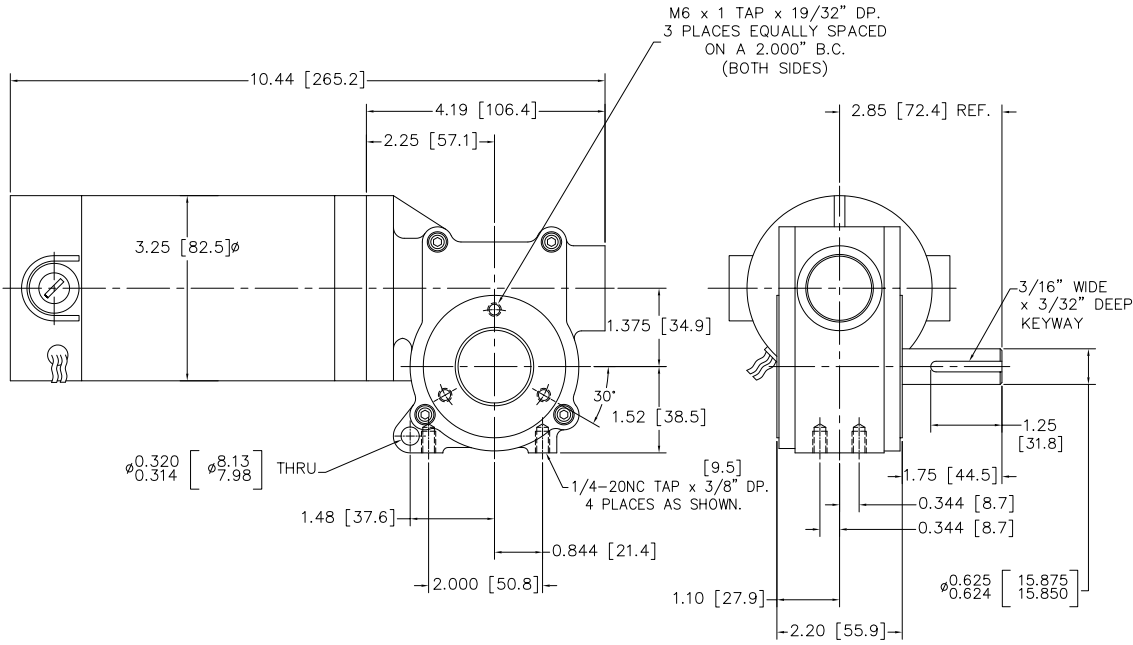


Euclid Universal®

A Kinetek Company®

Euclid Universal
 30500 Bruce Industrial Parkway, Suite B
 Solon, OH 44139
 Phone: (440) 349-4083
 Fax: (440) 349-4894
 Email: sales@imperialelectric.com
 Web: eucliduniversal.com

Dimensions



Product Specifications

Part Number	Output RPM	Gear Ratio	Output Torque (in-lbs)	Input HP	Insul. Class	Voltage	Motor Frame	Motor Enclosure	Full Load Amps	Approx. Weight (lbs.)
MC137C6214C6	417	6:1	30	0.25	H1	24VDC	34	TENV	9.7	10.0
MC137C6214C8.5	294	8.5:1	42	0.25	H1	24VDC	34	TENV	9.7	10.0
MC137C6214C11.3	221	11.33:1	54	0.25	H1	24VDC	34	TENV	9.7	10.0
MC137C6214C17	147	17:1	78	0.25	H1	24VDC	34	TENV	9.7	10.0
MC137C6214C21.5	116	21.5:1	94	0.25	H1	24VDC	34	TENV	9.7	10.0
MC137C6214C27	93	27:1	118	0.25	H1	24VDC	34	TENV	9.7	10.0
MC137C6214C34	74	34:1	136	0.25	H1	24VDC	34	TENV	9.7	10.0
MC137C6214C44	57	44:1	168	0.25	H1	24VDC	34	TENV	9.7	10.0
MC137C6214C54	46	54:1	200	0.25	H1	24VDC	34	TENV	9.7	10.0

Part Number	Output RPM	Gear Ratio	Output Torque (in-lbs)	Input HP	Insul. Class	Voltage	Motor Frame	Motor Enclosure	Full Load Amps	Approx. Weight (lbs.)
MC137C6609C6	408	6:1	27	0.22	H1	36VDC	34	TENV	6.0	10.0
MC137C6609C8.5	288	8.5:1	37	0.22	H1	36VDC	34	TENV	6.0	10.0
MC137C6609C11.3	216	11.33:1	49	0.22	H1	36VDC	34	TENV	6.0	10.0
MC137C6609C17	144	17:1	70	0.22	H1	36VDC	34	TENV	6.0	10.0
MC137C6609C21.5	114	21.5:1	85	0.22	H1	36VDC	34	TENV	6.0	10.0
MC137C6609C27	91	27:1	106	0.22	H1	36VDC	34	TENV	6.0	10.0
MC137C6609C34	72	34:1	122	0.22	H1	36VDC	34	TENV	6.0	10.0
MC137C6609C44	56	44:1	151	0.22	H1	36VDC	34	TENV	6.0	10.0
MC137C6609C54	45	54:1	180	0.22	H1	36VDC	34	TENV	6.0	10.0



Euclid Universal®

A Kinetek Company®

30500 Bruce Industrial Parkway, Suite B
Solon, OH 44139

Phone: (440) 349-4083
Fax: (440) 349-4894

Email: sales@imperialelectric.com
Web: eucliduniversal.com