

Chassisdrive 250 Wheel motor

Compact, durable traction drives for electric powered equipment

For the past 50 years, Euclid Universal has worked to establish its position as a global leader in the power transmission field. Working with diverse Original Equipment Manufacturers, Euclid designs and builds gear drive systems for special applications where off-the-shelf items will not fit or meet exacting rugged duty performance requirements. While the competition adapts drives originally designed for completely different purposes such as automotive windshield wipers and industrial conveyors, Euclid Universal produces gearmotors, gearheads, speed reducers and transaxles custom-made to meet the unique needs of each customer.

Our flexibility in engineering and production affords rapid response in design, prototype and production. Requirements for either low- or high-volume orders can be handled within our facility at competitive costs. We test for sound and vibration issues to assure pre-established requirements are met on each shipment.



Features

- Field replaceable brake, wheel and motor
- High quality "EP" grease for maintenance-free operation
- Designed with quality seals and bearings
- Non-ventilated permanent magnet motor
- Main housing cast in corrosion resistant aluminum
- Solid (I - groove) 250 mm diameter rubber or polyurethane tire
- Tire options: I-grooved wet traction 'HyTraq' solid rubber or 90 durometer polyurethane
- Identification tagged with serial number for easy tracking
- 35:1 double reduction gear ratio
- Electric parking brake direct to input pinion, motor or gearbox mounting option

Applications

- Floor care equipment
- Material handling
- Aerial work platforms
- Automated guided vehicles
- Load movers



KINETEK[®]

Technology in Motion

US Sales Office

1503 Exeter Road

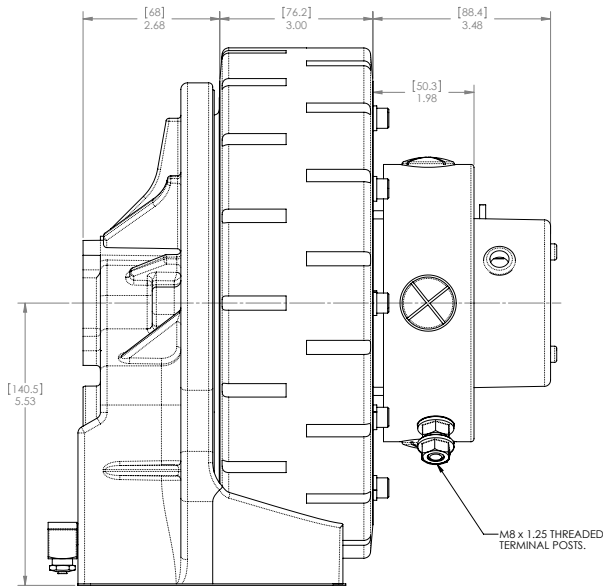
Akron, OH 44306

sales@kinetekinc.com

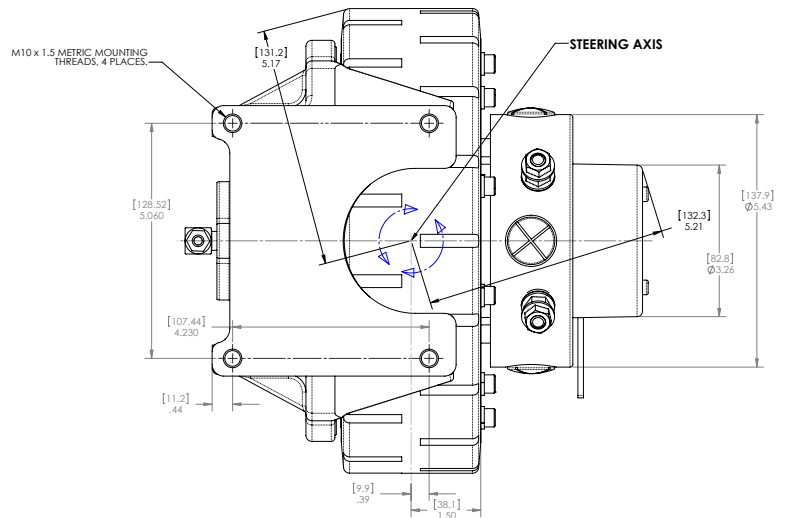
kinetekinc.com

Dimensions

Side View

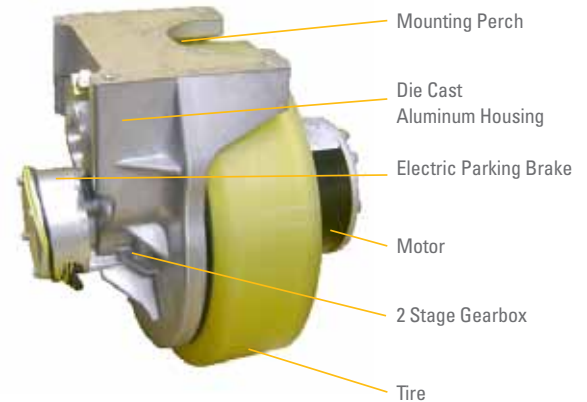


Top View



Specifications

- Swing radius:** 140 mm +/- options
- Weight:** 42lbs. 19kg +/- options
- Housing:** Die cast aluminum
- Lubrication:** Extreme pressure grease
- Tire:** 250 mm H x 76 mm W
- Tire options:** I-grooved wet traction 'HyTraq' solid rubber or 90 durometer polyurethane
- Motor:** Non-ventilated permanent magnet, 0.5 to 1 hp at 24V or 36VDC TENV
- Speed:** up to 3.8 mph (1.7 m/s)
- Wheel load:** 800 lbs. (363 kg) Rubber/ 1000 lbs. (450 kg) Polyurethane
- Gearbox:** 35:1 total ratio, double reduction, steel heat-treated pinion gears, helical primary
- Brake*:** Electric parking E-mag (60 or 42 lb-in), 24V or 36V



*Note that each of the Wheel Motors are available with this brake. Refer to factory for part number.

P/N	MOTOR HP	MOTOR RMP	VOLTAGE	RATIO	TIRE TYPE	WHEEL LOAD	OUTPUT RPM	GROUND SPEED	OUTPUT TORQUE (CONT.)
250CD6550D35	1/2 HP	1800 RPM	24 V	35:1	POLYURETHANE	1000 lbs.	51 RPM	1.52 mph	613 in.-lbs.
250CD6551D35	1/2 HP	1800 RPM	24V	35:1	HYTRAQ RUBBER	800 lbs.	51 RPM	1.52 mph	613 in.-lbs.
250CD6554D35	1 HP	2800 RPM	24 V	35:1	POLYURETHANE	1000 lbs.	80 RPM	2.38 mph	788 in.-lbs.
250CD6555D35	1 HP	2800 RPM	24V	35:1	HYTRAQ RUBBER	800 lbs.	80 RPM	2.38 mph	788 in.-lbs.
250CD6557D35	1 HP	3100 RPM	36 V	35:1	POLYURETHANE	1000 lbs.	89 RPM	2.63 mph	711 in.-lbs.
250CD6558D35	1 HP	3100 RPM	36 V	35:1	HYTRAQ RUBBER	800 lbs.	89 RPM	2.63 mph	711 in.-lbs.
250CD6561D35	1 HP	3600 RPM	24 V	35:1	POLYURETHANE	1000 lbs.	103 RPM	3.06 mph	613 in.-lbs.
250CD6562D35	1 HP	3600 RPM	24 V	35:1	HYTRAQ RUBBER	800 lbs.	103 RPM	3.06 mph	613 in.-lbs.
250CD6565D35	1 HP	4500 RPM	24 V	35:1	POLYURETHANE	1000 lbs.	128 RPM	3.81 mph	490 in.-lbs.
250CD6566D35	1 HP	4500 RPM	24V	35:1	HYTRAQ RUBBER	800 lbs.	128 RPM	3.81 mph	490 in.-lbs.
250CD6568D35	1 HP	4500 RPM	36 V	35:1	POLYURETHANE	1000 lbs.	128 RPM	3.81 mph	490 in.-lbs.
250CD6569D35	1 HP	4500 RPM	36 V	35:1	HYTRAQ RUBBER	800 lbs.	128 RPM	3.81 mph	490 in.-lbs.