

60A Controller — for PM Motor

Kinetek Controls 60A Controller for permanent magnet motors provides excellent control for motors in traction applications including walk-behind floor scrubbers, mobility carts, wheelchairs, and other equipment requiring similar control processing.

Available for both 24V and 36V DC systems, the fully programmable 60A controller provides variable speed control, regenerative braking, and a programmable output that may be used to drive motor relays, external brakes, solution valves, or similar devices. The controller also provides self testing and continuous diagnostics, solid state motor reversing, and is potted for superior water resistance.

The 60A controller uses a simple, extremely dependable, two-FET design that is ideal for applications that do not require the higher expense associated with wound field motor applications. The controller provides three digital inputs and one potentiometer input for speed control.



Specifications

60A Controller	Current Limit	Operating Voltage	Continuous Current Rating	Input	Output
KCCA0041	60A	24-36V DC	20 - 25A (approx)	3, digital 1, potentiometer	1 programmable
User Programmable Configuration Options Via KC Host					
Seat Switch Y/N	Start Switch Y/N	Brake Enable Y/N	Accel Y/N	AUX 1 Function Y/N	Min Brake Current
Accel Pot SRO	Accel 5k or 10k	Direction SRO	Start Switch SRO	Battery Cable Comp	IR Comp Y/N
Battery Volt Level	Tract Accel Fwd	Tract Accel Rev	Tract Decel Ramp	Key Off Ramp	IR Comp Const
Tract Topspeed Fwd	Tract Topspeed Rev	Tract Curr Offset	Chat Timeout Period	24 - 36 Volts	



Features

- 24 and 36V DC models
- Solid state motor reversing
- Regenerative braking
- Top speed control
- User programmable via KC Host
- Self test and continuous diagnostics
- 1 programmable auxiliary output
- Potted for superior water resistance
- Error code history via KC Host

Key Applications

- Electric utility vehicles
- Commercial floorcare machines
- Power sweepers
- Mobility carts
- Wheelchairs
- Recreational vehicle systems

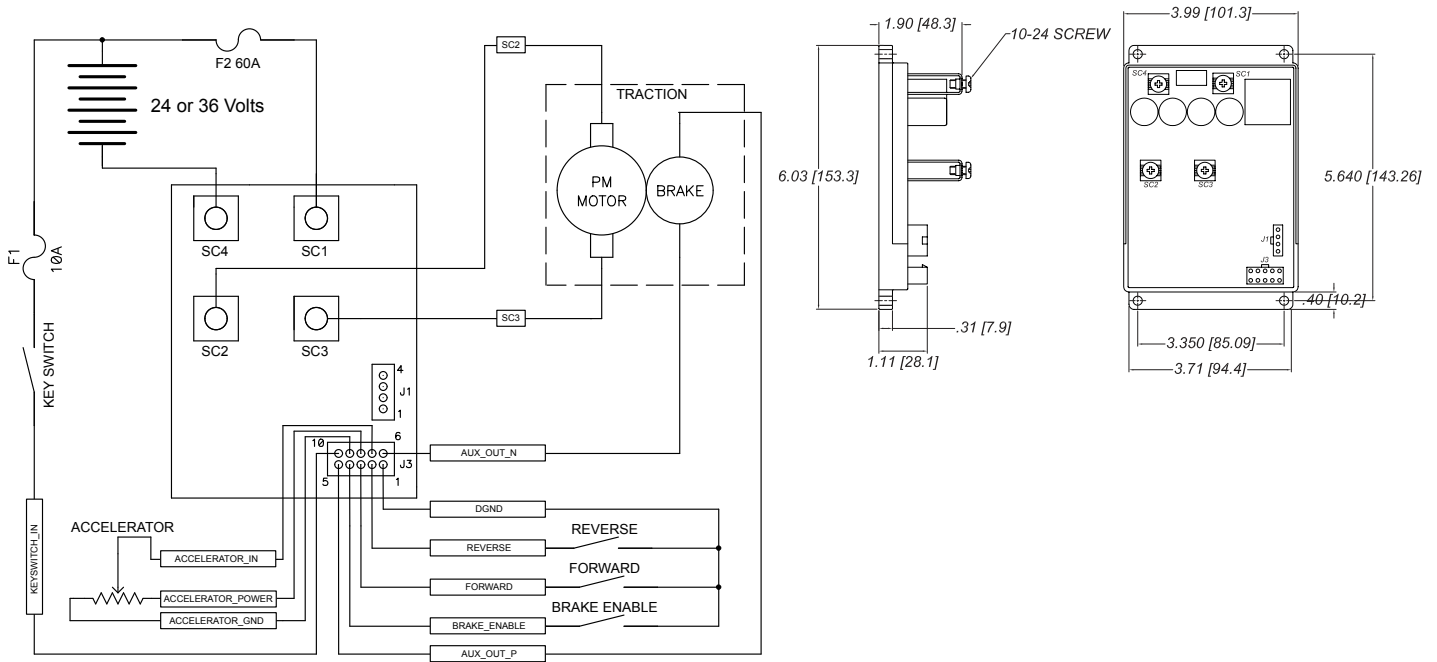
Related Kinetek Products

- DC wound field motors
- Permanent magnet DC motors
- Transaxle drive systems
- High frequency battery chargers
- Hydraulic pump motor systems
- Single wheel drives
- Multi-function display
- Linear actuator



KJH (Kinetek Jinghe)
 +86.20.6683.5476 direct
 yingye@jinghechina.com
 jinghechina.com

US Sales Office
 sales@kinetekinc.com
 kinetekinc.com



Connector Pin Out

J1 (Programming)

- Pin 1: Battery +
- Pin 2: RXD
- Pin 3: TXD
- Pin 4: Ground

J3 (Input/Output)

- Pin 1: Ground
- Pin 2: Reverse
- Pin 3: Forward
- Pin 4: Brake Enable
- Pin 5: AUX Out Pos
- Pin 6: AUX Out Neg
- Pin 7: Accelerator In
- Pin 8: Accelerator Power
- Pin 9: Accelerator Ground
- Pin 10: Key Switch In

Terminals

- SC1: Battery +
- SC2: M+
- SC3: M-
- SC4: Battery -



KJH (Kinetek Jinghe)
 Zhongxing Industrial Zone,
 Pingshan approach of 105th National Road
 Zhongcun town of Panyu District
 Guangzhou, China
 +86.20.6683.5476 direct
 +86.203.4716.922 fax
 yingye@jinghechina.com
 jinghechina.com

US Sales Office
 1503 Exeter Rd.
 Akron, OH 44306
 sales@kinetekinc.com
 kinetekinc.com